



ZHEJIANG HANGCHA IMP. & EXP. CO., LTD.

Factory site: 666 Xiangfu Road,
Hangzhou, Zhejiang, China (311305)

Tel: +86-571-88926735 88926755
Fax: +86-571-88926789 88132890

sales@hcforklift.com
www.hcforklift.com



Follow us on
Facebook



Follow us on
YouTube



Follow us on
WeChat



Download "Hangcha
Forklift" App



ISO14001
ISO14001:2015



ISO9001
ISO9001:2015



HANGCHA trucks conform
to the European Safety
Requirements.

2021 VERSION 4/COPYRIGHT 2021/08

HANGCHA GROUP CO., LTD. reserves the right to make any changes without notice concerning colors, equipment, or specifications detailed in this brochure, or to discontinue individual models. The colors of trucks, delivered may differ slightly from those in brochures.



AE Series Electric Forklift

with capacities of 1,500 to 3,500kg

The World of Hangcha
SINCE 1956



AE Series Electric Forklift

Independently developed by Hangcha on the basis of more than 30 years of electric forklift research and development and accumulated manufacturing technology, the AE series electric forklifts are a new series of high-efficiency and energy-saving electric counterweight forklifts with a new structure that represents a breakthrough over the traditional design concept. The research and development of control and power systems are innovated and the product exterior, ergonomics, reliability, maintenance and other aspects are optimized, so that the performance of the vehicle is greatly improved.

Appearance

- / With a profile formed by a combination of straight lines and streamlined curved surfaces, the truck is compact and maneuverable and has simple and sturdy appearance.

Comfort

- / The cover is sealed with a good effect of rain resistance.
- / The enlarged brake pedal and appropriate regenerative braking function can effectively reduce the driver's fatigue.
- / The wide-view mast with optimized design is unlikely to obstruct the operator's sight. The enlarged opening size of the fork carriage enables a wider view.



Maintenance

- / The front-opening hood design makes charging and maintenance easier.
- / The electric control parts, fuse, etc. can be accessed easily and maintained without tools.
- / The side-mounted oil tank facilitates liquid level check and oil addition.

Stability

- / The center of gravity is moved back by placing the battery at the rear of the truck, it can ensure the longitudinal stability.

Advancement

- / The Y2 (Enpower controller) series uses 80V voltage system, both the traction and oil pump use permanent magnet synchronous motors, which have high efficiency, strong power and low energy consumption.
- / The controller, oil tank and pump motor are all placed at the front to enable small pipeline length and less energy loss.
- / The high-frequency MOSFET integrated controller ensures smooth and accurate traveling and lifting control, and has excellent speed regulation performance, good performance of electronic control matching the motor, functions of regenerative braking, reverse braking and anti-sliding on ramps, etc., and high safety and reliability.

Safety

- / The optional lowering lock function can improve the safety greatly when the driver leaves the seat.
- / The soft landing and electronic control lifting buffering (Opt.) are all provide to protect goods effectively.
- / The handbrake can be optionally equipped with an alarm buzzer to prompt the driver to pull up the handbrake before leaving the truck.



The truck is ergonomically designed to provide a good view and a large operating space



Both the traction and oil pump adopt permanent magnet synchronous motors for the Enpower controller



The battery can be removed from the rear enables the battery to be replaced more flexibly (Only for the lead-acid battery)



Multifunctional color screen instrument with graphical interface design is simple and intuitive for operator



Battery is placed at the rear of the truck



Standard Specification

- / Duplex mast
- / Silent gear pump
- / Multi-function color-screen instrument
- / LED headlight
- / Integral rubber pedal pad
- / Dual multi-way valve
- / Stamping front pedal
- / Integral ABS boarding pedal
- / Integral stamped side panel and hood
- / Soft landing
- / Speed mode selection
- / DC-DC converter
- / Emergency power off switch
- / Reverse buzzer
- / Load sensing steering system
- / Traction pin
- / Rearview mirror

Options

- / Large-capacity battery
- / Charger
- / Left and right rear view mirrors
- / Reverse armrest
- / Widening or heightening load backrest
- / Forks of other lengths
- / Rear work light
- / Front dual tire
- / Super elastic solid tire
- / Non mark solid tire
- / Triple multi-way valve
- / Quadruple multi-way valve
- / Built-in sideshifter
- / Other attachments
- / Maintenance-free lead carbon battery
- / PVC transparent canopy
- / PVC transparent cover plate for the battery lifting port on the overhead guard
- / Front windshield
- / Cab
- / Warning light
- / Blue light
- / OPS system

Lead-acid specification						
Capacity (Ah/5h)	1.5-mini2t 80V (AEY2)	1.5-mini2t 48V (AEJ2/D2/D1)	2.0-2.5t 80V (AEY2)	2.0-2.5t 48V (AEJ2/D2/D1)	3.0-3.5t 80V (AEY2)	3.0-3.5t 80V (AEJ2/D2/D1)
220 (lead acid)	●	—	—	—	—	—
240 (lead acid)	○	—	—	—	—	—
300 (lead acid)	○	—	●	—	—	—
350 (lead acid)	—	—	○	—	—	—
400 (lead acid)	—	—	—	—	●	—
420 (lead acid)	—	●	—	—	—	—
440 (lead acid)	—	—	—	—	○	—
480 (lead acid)	—	—	—	—	○	●
500 (lead acid)	—	○	—	—	—	—
640 (lead acid)	—	—	—	●	—	—
660 (lead acid)	—	—	—	○	—	—

● Std. ○ Opt. — Null.

Lithium specification			
Capacity (Ah/5h)	1.5-mini2t 80V	2.0-2.5t 80V	3.0-3.5t 80V
125 (Lithium)	●	—	—
202 (Lithium)	○	●	—
271 (Lithium)	○	○	●
404 (Lithium)	—	○	○
542 (Lithium)	—	—	○

● Std. ○ Opt. — Null.





1.5t AE Series Mast Specification

Type	Model	Lifting height	Lowered overall height	Overall height		Free lifting height		Tilting range	Capacity(Mast vertical to ground)	
				Without backrest	With backrest	Without backrest	With backrest		Load center@500mm	
				mm	mm	mm	mm	mm	mm	FWD/BWD
Duplex wide view mast	XPD15M200	2000	1475	2538	2955	135	135	6/12	1500	1500
	XPD15M250	2500	1725	3038	3455	135	135	6/12	1500	1500
	XPD15M270	2700	1825	3238	3655	135	135	6/12	1500	1500
	XPD15M300	3000	1975	3538	3955	135	135	6/12	1500	1500
	XPD15M330	3300	2125	3838	4255	135	135	6/12	1500	1500
	XPD15M350	3500	2225	4038	4455	135	135	6/12	1500	1500
	XPD15M360	3600	2325	4138	4555	135	135	6/12	1500	1500
	XPD15M370	3700	2375	4238	4655	135	135	6/12	1500	1500
	XPD15M400	4000	2575	4538	4955	135	135	6/12	1500	1500
	XPD15M430	4300	2725	4838	5255	135	135	6/6	1500	1500
	XPD15M450	4500	2825	5038	5455	135	135	6/6	1500	1500
Duplex full-free mast	XPD15M480	4800	2975	5338	5755	135	135	6/6	1400	1500
	XPD15M500	5000	3075	5538	5955	135	135	6/6	1350	1400
	XPD15U200	2000	1490	2559	2945	931	545	6/6	1500	1500
	XPD15U250	2500	1740	3059	3445	1181	795	6/12	1500	1500
	XPD15U270	2700	1840	3259	3645	1281	895	6/12	1500	1500
	XPD15U300	3000	1990	3559	3945	1431	1045	6/12	1500	1500
	XPD15U330	3300	2140	3859	4245	1581	1195	6/12	1500	1500
	XPD15U350	3500	2240	4059	4445	1681	1295	6/12	1500	1500
Triplex full-free mast	XPD15U360	3600	2290	4159	4545	1731	1345	6/12	1500	1500
	XPD15U370	3700	2340	4259	4645	1781	1395	6/12	1500	1500
	XPD15U400	4000	2540	4559	4945	1981	1595	6/12	1500	1500
	XPD15N430	4300	2040	4869	5255	1481	1095	6/6	1500	1500
	XPD15N450	4500	2090	5069	5455	1531	1145	6/6	1500	1500
	XPD15N480	4800	2240	5369	5755	1681	1295	6/6	1400	1500
	XPD15N500	5000	2340	5569	5955	1781	1395	6/6	1400	1450
Triplex full-free mast	XPD15N550	5500	2540	6069	6455	1981	1595	3/6	1250	1350
	XPD15N600	6000	2790	6600	6955	2200	1845	3/6	1100	1150

1.8t AE Series Mast Specification

Type	Model	Lifting height	Lowered overall height	Overall height		Free lifting height		Tilting range	Capacity(Mast vertical to ground)		
				Without backrest	With backrest	Without backrest	With backrest	FWD/BWD	Load center@500mm		
				mm	mm	mm	mm		Single Tire	Double Tire	
									1.8t	1.8t	
Duplex wide view mast	XPD18M200	2000	1475	2648	2955	135	135	6/12	1800	1800	
	XPD18M250	2500	1725	3148	3455	135	135	6/12	1800	1800	
	XPD18M270	2700	1825	3348	3655	135	135	6/12	1800	1800	
	XPD18M300	3000	1975	3648	3955	135	135	6/12	1800	1800	
	XPD18M330	3300	2125	3948	4255	135	135	6/12	1800	1800	
	XPD18M350	3500	2225	4148	4455	135	135	6/12	1800	1800	
	XPD18M360	3600	2325	4248	4555	135	135	6/12	1800	1800	
	XPD18M370	3700	2375	4348	4655	135	135	6/12	1800	1800	
	XPD18M400	4000	2575	4648	4955	135	135	6/12	1800	1800	
	XPD18M430	4300	2725	4948	5255	135	135	6/6	1700	1750	
	XPD18M450	4500	2825	5148	5455	135	135	6/6	1650	1700	
	XPD18M480	4800	2975	5448	5755	135	135	6/6	1600	1650	
	XPD18M500	5000	3075	5648	5955	135	135	6/6	1550	1600	
	Duplex full-free mast	XPD18U200	2000	1490	2669	2945	821	545	6/6	1800	1800
XPD18U250		2500	1740	3169	3445	1071	795	6/12	1800	1800	
XPD18U270		2700	1840	3369	3645	1171	895	6/12	1800	1800	
XPD18U300		3000	1990	3669	3945	1321	1045	6/12	1800	1800	
XPD18U330		3300	2140	3969	4245	1471	1195	6/12	1800	1800	
XPD18U350		3500	2240	4169	4445	1571	1295	6/12	1800	1800	
XPD18U360		3600	2290	4269	4545	1621	1345	6/12	1800	1800	
Triplex full-free mast	XPD18U370	3700	2340	4369	4645	1671	1395	6/12	1800	1800	
	XPD18U400	4000	2540	4669	4945	1871	1595	6/12	1800	1800	
	XPD18N430	4300	2040	4979	5255	1371	1095	6/6	1650	1800	
	XPD18N450	4500	2090	5179	5455	1421	1145	6/6	1650	1750	
	XPD18N480	4800	2240	5479	5755	1571	1295	6/6	1600	1650	
	XPD18N500	5000	2340	5679	5955	1671	1395	6/6	1550	1600	
Triplex full-free mast	XPD18N550	5500	2540	6179	6455	1871	1595	3/6	1500	1550	
	XPD18N600	6000	2790	6679	6955	2121	1845	3/6	1300	1400	

2.0t/2.5t AE Series Mast Specification

Type	Model	Lifting height	Lowered overall height	Overall height		Free lifting height		Tilting range	Capacity(Mast vertical to ground)				
				Without backrest	With backrest	Without backrest	With backrest	FWD/BWD	Load center@500mm				
				mm	mm	mm	mm		Single Tire		Double Tire		
									2.0t	2.5t	2.0t	2.5t	
Duplex wide view mast	XPD25M200	2000	1501	2626	3046	140	140	6/6	2000	2500	2000	2500	
	XPD25M250	2500	1751	3126	3546	140	140	6/12	2000	2500	2000	2500	
	XPD25M270	2700	1851	3326	3746	140	140	6/12	2000	2500	2000	2500	
	XPD25M300	3000	2001	3626	4046	140	140	6/12	2000	2500	2000	2500	
	XPD25M330	3300	2151	3926	4346	140	140	6/12	2000	2500	2000	2500	
	XPD25M350	3500	2251	4126	4546	140	140	6/12	2000	2500	2000	2500	
	XPD25M360	3600	2351	4226	4646	140	140	6/12	2000	2500	2000	2500	
	XPD25M370	3700	2401	4326	4746	140	140	6/12	2000	2500	2000	2500	
	XPD25M400	4000	2601	4626	5046	140	140	6/12	2000	2500	2000	2500	
	XPD25M430	4300	2751	4926	5346	140	140	6/6	2000	2500	2000	2500	
	XPD25M450	4500	2851	5126	5546	140	140	6/6	2000	2450	2000	2500	
	XPD25M470	4700	2951	5326	5746	140	140	6/6	1950	2350	2000	2450	
	XPD25M480	4800	3001	5426	5846	140	140	6/6	1950	2350	2000	2450	
	XPD25M500	5000	3101	5626	6046	140	140	6/6	1850	2300	1950	2350	
Duplex full-free mast	XPD25M550	5500	3351	6126	6546	140	140	3/6	1750	2150	1900	2200	
	XPD25M600	6000	3601	6626	7046	140	140	3/6	1550	1900	1800	2000	
	XPD25U200	2000	1516	2749	3046	842	470	6/6	2000	2500	2000	2500	
	XPD25U250	2500	1766	3173.5	3546	1092	720	6/12	2000	2500	2000	2500	
	XPD25U270	2700	1866	3373.5	3746	1192	820	6/12	2000	2500	2000	2500	
	XPD25U300	3000	2016	3673.5	4046	1342	970	6/12	2000	2500	2000	2500	
	XPD25U330	3300	2166	3973.5	4346	1492	1120	6/12	2000	2500	2000	2500	
Triplex full-free mast	XPD25U350	3500	2266	4173.5	4546	1592	1220	6/12	2000	2500	2000	2500	
	XPD25U360	3600	2316	4273.5	4646	1642	1270	6/12	2000	2500	2000	2500	
	XPD25U370	3700	2366	4373.5	4746	1692	1320	6/12	2000	2500	2000	2500	
	XPD25N400	4000	1966	4670.5	5046	1195	920	6/6	2000	2500	2000	2500	
	XPD25N430	4300	2066	4970.5	5346	1295	1020	6/6	2000	2450	2000	2500	
	XPD25N450	4500	2116	5170.5	5546	1345	1070	6/6	2000	2350	2000	2450	
	XPD25N470	4700	2216	5370.5	5746	1445	1170	6/6	1950	2250	2000	2350	
	XPD25N480	4800	2266	5470.5	5846	1495	1220	6/6	1950	2250	2000	2350	
	XPD25N500	5000	2366	5670.5	6046	1595	1320	6/6	1850	2150	1950	2250	
	XPD25N550	5500	2566	6170.5	6546	1795	1520	3/6	1750	2050	1900	2100	
Triplex full-free mast	XPD25N600	6000	2816	6670.5	7046	2045	1770	3/6	1550	1850	1800	1950	
	XPD25N650	6500	3016	7170.5	7546	2245	1970	3/6	1300	1600	1550	1800	
	XPD25N700	7000	3266	7766	8046	2695	2220	3/6	1000	1300	1150	1450	

Short Wheelbase 2.0t AE Series Mast Specification

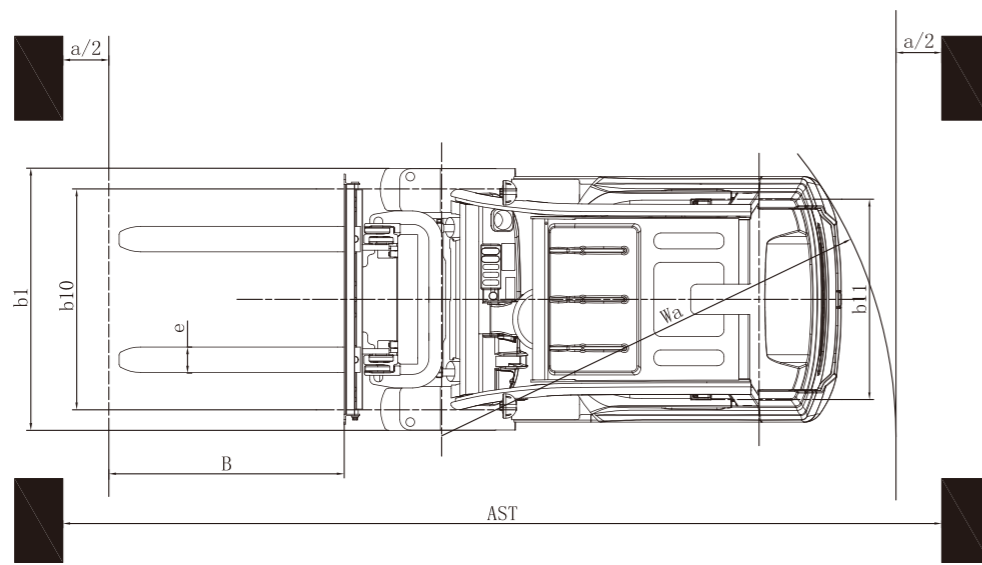
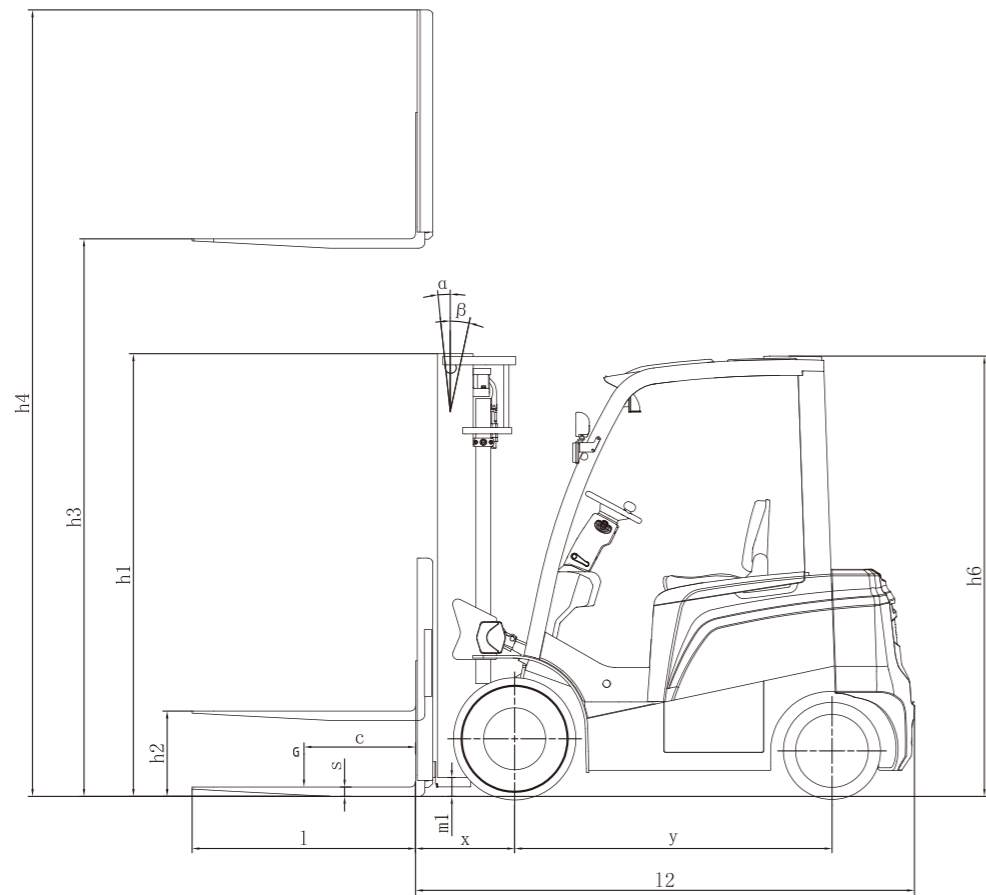
Type	Model	Lifting height	Lowered overall height	Overall height		Free lifting height		Tilting range	Capacity(Mast vertical to ground)		
				Without backrest	With backrest	Without backrest	With backrest	FWD/BWD	Load center@500mm		
				mm	mm	mm	mm		Single Tire	Double Tire	
									Short Wheelbase 2.0t	Short Wheelbase 2.0t	
Duplex wide view mast	APYX20M200	2000	1475	2648	2955	140	140	6/12	2000	2000	
	APYX20M250	2500	1725	3148	3455	140	140	6/12	2000	2000	
	APYX20M270	2700	1825	3348	3655	140	140	6/12	2000	2000	
	APYX20M300	3000	1975	3648	3955	140	140	6/12	2000	2000	
	APYX20M330	3300	2125	3948	4255	140	140	6/12	2000	2000	
	APYX20M350	3500	2225	4148	4455	140	140	6/12	2000	2000	
	APYX20M360	3600	2325	4248	4555	140	140	6/12	2000	2000	
	APYX20M370	3700	2375	4348	4655	140	140	6/12	2000	2000	
	APYX20M400	4000	2575	4648	4955	140	140	6/12	2000	2000	
	APYX20M430	4300	2725	4948	5255	140	140	6/6	1900	2000	
	APYX20M450	4500	2825	5148	5455	140	140	6/6	1850	1900	
	APYX20M480	4800	2975	5448	5755	140	140	6/6	1800	1850	
	APYX20M500	5000	3075	5648	5955	140	140	6/6	1700	1750	
	Duplex full-free mast	APYX20U200	2000	1490	2669	2945	826	550	6/6	2000	2000
APYX20U250		2500	1740	3169	3445	1076	800	6/12	2000	2000	
APYX20U270		2700	1840	3369	3645	1176	900	6/12	2000	2000	
APYX20U300		3000	1990	3669	3945	1326	1050	6/12	2000	2000	
APYX20U330		3300	2140	3969	4245	1476	1200	6/12	2000	2000	
APYX20U350		3500	2240	4169	4445	1576	1300	6/12	2000	2000	
APYX20U360		3600	2290	4269	4545	1626	1350	6/12	2000	2000	
APYX20U370		3700	2340	4369	4645	1676	1400	6/12	2000	2000	
APYX20U400		4000	2540	4669	4945	1876	1600	6/12	2000	2000	
Triplex full-free mast		APYX20N430	4300	2040	4979	5255	1376	1100	6/6	1850	1950
	APYX20N450	4500	2090	5179	5455	1426	1150	6/6	1800	1900	
	APYX20N480	4800	2240	5479	5755	1576	1300	6/6	1750	1850	
	APYX20N500	5000	2340	5679	5955	1676	1400	6/6	1700	1800	
	APYX20N550	5500	2540	6179	6455	1876	1600	3/6	1650	1750	
	APYX20N600	6000	2790	6679	6955	2126	1850	3/6	1450	1500	

3.0t/3.5t AE Series Mast Specification

Type	Model	Lifting height	Lowered overall height	Overall height		Free lifting height		Tilting range	Capacity(Mast vertical to ground)				
				Without backrest	With backrest	Without backrest	With backrest	FWD/BWD	Load center@500mm				
				mm	mm	mm	mm		Single Tire		Double Tire		
									3.0t	3.5t	3.0t	3.5t	

AE Series Lead-acid Battery Forklift

	Manufacturer (abbreviation)	HANGCHA GROUP CO.,LTD.																																										
		CPD15-AEY2	CPD15-AEJ2/D2	CPD15-AED1	CPD18-AEY2	CPD18-AEJ2/D2	CPD18-AED1	CPD20-AEY2	CPD20-AEJ2/D2	CPD20-AED1	CPD20-AEY2	CPD20-AEJ2/D2	CPD20-AED1	CPD25-AEY2	CPD25-AEJ2/D2	CPD25-AED1	CPD30-AEY2	CPD30-AEJ2/D2	CPD30-AED1	CPD35-AEY2	CPD35-AEJ2/D2	CPD35-AED1																						
Distinguishing mark	1.1	Manufacturers type designation																																										
	1.2	Drive: electric (battery or mains), diesel, petrol, fuel gas	Electric						Electric						Electric						Electric																							
	1.3	Operator type: hand, pedestrian, standing, seated, order-picker	Seated						Seated						Seated						Seated																							
	1.4	Load capacity/rated load	Q (kg)		1500				1800				2000				2500				3000				3500																			
	1.5	Load centre distance	c (mm)		500				500				500				500				500																							
	1.6	Load distance, centre of drive axle to fork	x (mm)		405				410				415				444				477.5				482.5																			
	1.7	Wheelbase	y (mm)		1430				1430				1430				1520				1520				1650																			
Weight	2.1	Service Weight	kg	2760	2890		3040	3040		3300	3270		3480	3660		4000	3950		4430	4650		4950	5050																					
	2.2	Axle loading, laden front/rear	kg	3800/500		3790/600		4290/550		4310/530		4700/600		4730/540		4820/660		4880/780		5800/700		5780/660		6630/800		6730/920		7590/860		7650/900														
	2.3	Axle loading, unladen front/rear	kg	1370/1430		1330/1560		1350/1560		1360/1680		1420/1880		1450/1820		1580/1900		1640/2020		1770/2230		1730/2220		1890/2540		1950/2700		2030/2920		2100/2950														
Tyres, chassis	3.1	Tyres: solid rubber, superelastic, pneumatic, polyurethane	Pneumatic						Pneumatic						Pneumatic						Pneumatic																							
	3.2	Tyre size, front	6.00-9NHS-10PR						21X8-9-16PR						21X8-9-16PR						23X9-10-16PR						23X9-10-16PR						28X9-15-14PR						28X9-15-14PR					
	3.3	Tyre size, rear	5.00-8NHS-10PR						5.00-8NHS-10PR						5.00-8NHS-10PR						18X7-8-14PR						18X7-8-14PR						18X7-8-16PR						18X7-8-16PR					
	3.4	Wheels, number front rear (X = driven wheels)	2x/2						2x/2						2x/2						2x/2						2x/2						2x/2											
	3.5	Tread, front	b10 (mm)	888				938				938				1058				1058				1009				1009																
	3.6	Tread, rear	b11 (mm)	897.5				897.5				897.5				960				960				960				960																
Dimensions	4.1	Tilt of mast/fork carriage forward/backward	α/β(°)		6/12				6/12				6/12				6/12				6/12				6/12				6/12															
	4.2	Height, mast lowered	h1 (mm)		1975				1975				1975				2001				2001				2165				2165															
	4.3	Free lift	h2 (mm)		135				135				140				140				140				145				145															
	4.4	Lift	h3 (mm)		3000				3000				3000				3000				3000				3000				3000															
	4.5	Height, mast extended	h4 (mm)		3955				3955				3955				4040				4040				4159				4159															
	4.6	Height of overhead guard STD.	h6 (mm)		2080				2080				2080				2100				2100				2178				2178															
	4.7	Seat height/stand height	h7 (mm)		1090				1090				1090				1115				1115				1182				1182															
	4.8	Coupling height	h10 (mm)		285				285				285				308				308				317				317															
	4.9	Overall length	l1 (mm)		3125				3130				3135				3430				3430				3662				3662															
	4.10	Length to face of forks	l2 (mm)		2205				2210				2215				2360				2360				2587				2592															
	4.11	Overall width	b1 (mm)		1120				1138				1138				1260				1260				1241				1241															
	4.12	Fork dimensions	s/e/l (mm)		35×100×920				35×100×920				40×100×920				40×122×1070				40×122×1070				45×125×1070				50×125×1070															
	4.13	Fork carriage DIN 15173 --- ISO 2328, class/type A,B	ISO 2328 2A						ISO 2328 2A						ISO 2328 2A						ISO 2328 2A						ISO 2328 2A						ISO 2328 3A						ISO 2328 3A					
	4.14	Fork-carriage width	b3 (mm)		1000				1000				1000				1100				1100				1100				1100															
4.15	Distance between fork-arms	b5 (mm)		240/1000				240/1000				240/1000				290/1100				290/1100				290/1100				290/1100																
4.16	Ground clearance, laden, below mast	m1 (mm)		95				95				95				120				120				135				135																
4.17	Ground clearance, centre of wheelbase	m2 (mm)		100				100				100				125				125				134				134																
4.18	Aisle width for pallets 1000 × 1200 crossways	Ast (mm)		3655				3660				3660				3794				3794				4057.5				4062.5																
4.19	Aisle width for pallets 800 x 1200 lengthways	Ast (mm)		3855				3860				3860				3994				3994				4257.5				4262.5																
4.20	Turning radius	Wa (mm)		2050				2050				2050				2150				2150				2380				2380																
Performance data	5.1	Travel speed, laden/unladen	km/h		13.5/14				13.5/14				13.5/14				14/14				14/14				14/14				14/14															
	5.2	Lift speed, laden/unladen	mm/s		280/430	280/430	250/430	280/430	280/430	250/430	280/430	280/430	250/430	280/430	280/430	250/430	280/430	280/430	250/430	280/400	280/400	250/400	280/400	280/400	250/400																			
	5.3	Lowering speed, laden/unladen	mm/s		500/430				500/440				500/440				500/430				500/440				470/420				470/420															
	5.5	Max. Drawbar pull, laden/unladen	N		7000	7000		7000	7000		7000	7000		11000	11000		11000	11000		13000	13000		13000	13000																				
	5.7	Max. gradeability, laden/unladen	%		15/15				15/15				15/15				15/15				15/15				15/13				15/15															
	5.9	Service brake	Hydraulic						Hydraulic						Hydraulic						Hydraulic						Hydraulic																	
5.10	Parking brake	Mechanical						Mechanical						Mechanical						Mechanical						Mechanical																		
Electric-engine	6.1	Drive motor rating S2 60 min	kW		6AC	8AC		6AC	8AC		6AC	8AC		9AC	11AC		9AC	11AC		11AC	15AC		11AC	15AC																				
	6.2	Lift motor rating at S3 15%	kW		5AC	8.6AC	8.2DC	5AC	8.6AC	8.2DC	5AC	8.6AC	8.2DC	7AC	8.6AC	8.6DC	7AC	8.6AC	8.6DC	8AC	10AC	10DC	8AC	10AC	10DC																			
	6.3	Battery acc. to DIN 43 531/35/36 A,B,C, no	no						no						no						no						no																	
	6.4	Battery voltage, nominal capacity K5	V/Ah		80/220	48/420		80/220	48/420		80/220	48/420		80/300	48/640		80/300	48/640		80/400	80/480		80/400	80/480																				
	6.5	Battery weight	kg		700	735		700	735		700	735		880	1000		880	1000		1080	1250		1080	1250																				
	6.6	Battery dimensions	mm		812x920x483	812x920x483		812x920x483	812x920x483		812x920x483	812x920x483		852×1035×483	852x1035x513		852×1035×483	852x1035x513		825×1165×543	825×1165×543		825×1165×543	825×1165×543																				
Addition data	7.1	Type of drive control	MOSFET/AC						MOSFET/AC						MOSFET/AC						MOSFET/AC						MOSFET/AC																	
	7.2	Manufacturer	Y2	Enpower	/		Enpower	/		Enpower	/		Enpower	/		Enpower	/		Enpower	/		Enpower	/																					
			J2	/	HANGCHA		/	HANGCHA		/	HANGCHA		/	HANGCHA		/	HANGCHA		/	HANGCHA		/	HANGCHA																					
			D1、D2	/	INMOTION		/	INMOTION		/	INMOTION		/	INMOTION		/	INMOTION		/	INMOTION		/	INMOTION																					
	7.3	Model	Y2	MC3336-A850	/		MC3336-A850	/		MC3336-A850	/		MC3336-A850	/		MC3336-A850	/		MC3336-A850	/		MC3336-A850	/																					
			J2	/	HC-B1		/	HC-B1		/	HC-B1		/	HC-B2;HC-B1		/	HC-B2;HC-B1		/	HC-C3;HC-C2		/	HC-C3;HC-C2																					
D2			/	ACS48S-350C-35P;ACS48S-350C-23P		/	ACS48S-350C-35P;ACS48S-350C-23P		/	ACS48S-350C-35P;ACS48S-350C-23P		/	ACS48S+450C-35P;ACS48S-350C-23P		/	ACS48S+450C-35P;ACS48S-350C-23P		/	ACS80M-440C-35P;ACS80M-330C-23P		/	ACS80M-440C-35P;ACS80M-330C-23P																						
D1			/	ACS48S-350C-35P;HP 48/350		/	ACS48S-350C-35P;HP 48/350		/	ACS48S-350C-35P;HP 48/350		/	ACS48S+450C-35P;HP 48/500		/	ACS48S+450C-35P;HP 48/500		/	ACS80L-440C-35P;HP 80/500		/	ACS80L-440C-35P;HP 80/500																						
8.1		MPa		18.5				18.5				18.5				18.5				18.5				18.5																				
8.4	Towing coupling, type DIN	Φ 24 Pin						Φ 24 Pin						Φ 24 Pin						Φ 24 Pin						Φ 24 Pin																		



$AST = a + Wa + x + B$ $a: (200mm)$

